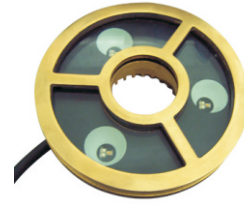


H6650 SERIES

Underwater Projector
DC POWER INPUT

CHAMELEON SERIES
CAM-X / DMX512



H6650 Underwater Color Changing Projector

- H6650 is a compact and powerful underwater projector in Chameleon system.
- A solid copper housing provides non-corrosive protection underwater with adequate heat sink so that H6650 can provide powerful color changing lighting effect for water scenes.
- With narrow flood type distribution optics and Lumileds ultra-high-brightness Rebel LED, this fixture provides vivid color effect not possible in traditional light source.
- Based on RISC based CAM-X technology, it could be installed long distance in water feature without the worries of data degrading.
- The dynamic communication technology together with powerful scenes programming tool provide headache-free design environment for anyone to explore his visual creativity for colorful water features.

Features and benefits

- Based on Lumileds High Brightness Rebel LED.
- With Chameleon or DMX512 control, it has the ability to create up to 16.7 million colors to offer endless color changing possibilities.
- Each fixture can be individually programmed for even more dynamic lighting effects.
- High reflectance optical reflector provide 60 degree flood type distribution with evenly mixed color effect.
- Safe 12VDC operation voltage.

Applications

- Fountain
- Pool
- Water feature

Model Information

Model: H6650 -X1 D1 LXE 9 RGB -RWW -GC
(1) (2) (3) (4) (5) (6) (7) (8)

| No. | Type | Description |
|-----|-------|--|
| 1 | H6650 | Model Number |
| 2 | -X1 | Control: 1 Control Address, 3 DMX Channels |
| 3 | -D1 | Input Volatge: DC 12V |
| 4 | LXE | LED: Lumiled Rebel 670mA |
| 5 | 9 | Number of LED: 9 (3R,3G,3B) |
| 6 | RGB | Type of LED: RGB Color Changing |
| 7 | -RWW | Type of Optics: RWW: 60 x 60 Flood Type Distribution |
| 8 | -GC | Type of Diffuser: Clear Glass |



DC 24V input



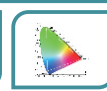
CAM-X



DMX512



Power supplier



1.67 Million colors



www.gl.lighting.com
E-mail:info@gl-lighting.com

Specification Information

- Power input: 12-24VDC.
- Power supplier: PX-320 (Indoors) ,PXO-70 (Outdoors) .
- Input signal: DMX 512/ RISC based RS485 Chameleon Signal.
- Color Changing Possibility: 14 bits resolution with 16.67 mln colors possibility.
- LED Junction Temperature: ' $\leq 95^{\circ}$ C.
- Beam Angle: RWW: 60 x 60.
- Tilt angel: N/A.
- Size: Dia: 178mm H: 48.5mm.
- Safety features: Short-circuit protection, overvoltage protection, overload protection, over temperature .
- Standard cable length: 4 core,V+/D+/D-/V-,1.5m standard.
- Construction: Die cast copper housing; Die cast copper trim; stainless steel screw; Tempered Glass
- Installation: Surface mounted.
- Classification: Class III;

Classification: Ambient temperature: $-10^{\circ}\text{C} < T_a < 40^{\circ}\text{C}$;
IP 68.

LED Tabel : Light source performance data for H6650

| Lumileds REBEL -Red | | | | | | | |
|---------------------|----------------|--------------|------------|-------------|--------------------|------|------------------|
| Driving Current | Ambi.Temp=25 | | One sec. | | | | |
| | Junction Temp. | System Lumen | LED Number | Rated Lumen | System Lumen Ta=25 | Watt | Lumen/Watt Ta=25 |
| 510mA | - | 31.59 | 3 | 162 | 94.8 | 6.46 | 14.67 |

| Lumileds REBEL -Green | | | | | | | |
|-----------------------|----------------|--------------|------------|-------------|--------------------|------|------------------|
| Driving Current | Ambi.Temp=25 | | One sec. | | | | |
| | Junction Temp. | System Lumen | LED Number | Rated Lumen | System Lumen Ta=25 | Watt | Lumen/Watt Ta=25 |
| 670mA | - | 97.15 | 3 | 396 | 291.5 | 8.93 | 32.64 |

| Lumileds REBEL -Blue | | | | | | | |
|----------------------|----------------|--------------|------------|-------------|--------------------|------|------------------|
| Driving Current | Ambi.Temp=25 | | One sec. | | | | |
| | Junction Temp. | System Lumen | LED Number | Rated Lumen | System Lumen Ta=25 | Watt | Lumen/Watt Ta=25 |
| 670mA | - | 16.88 | 3 | 68.81 | 50.6 | 7.82 | 6.47 |

| Total (Red / Green / Blue) | | | | | | | |
|------------------------------|----------------|--------------|------------|-------------|--------------------|------|------------------|
| | Ambi.Temp=25 | | One sec. | | | | |
| | Junction Temp. | System Lumen | LED Number | Rated Lumen | System Lumen Ta=25 | Watt | Lumen/Watt Ta=25 |
| 9RGB | - | 145.62 | 3R/3G/3B | 627 | 437 | 24 | 18.21 |



DC 24V input



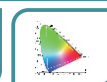
CAM-X



DMX512



Power supplier



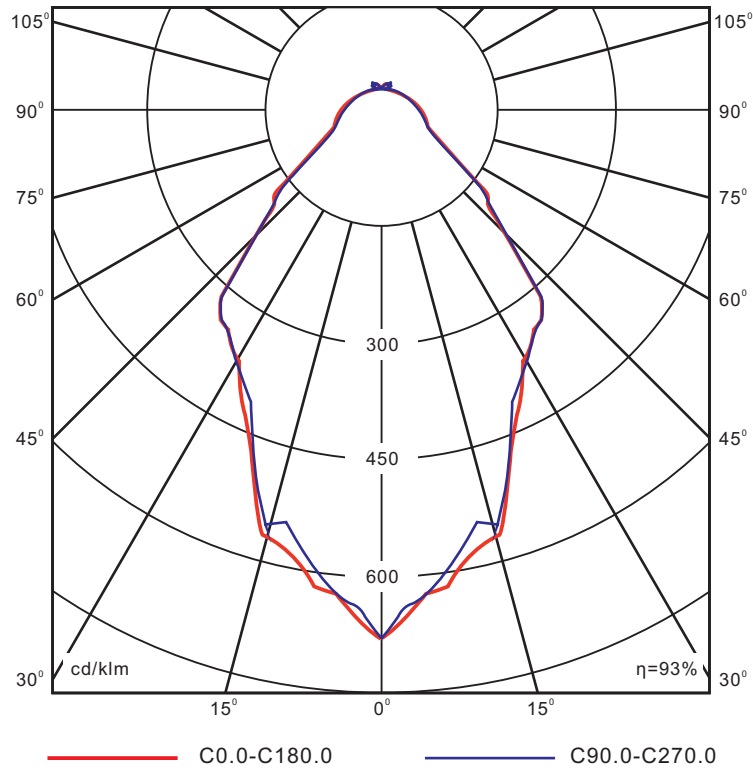
1.67 Million colors



www.gl.lighting.com
E-mail:info@gl-lighting.com

Intensity Diagram

Polar Intensity Diagram(RWW)



DC 24V input



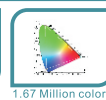
CAM-X



DMX512

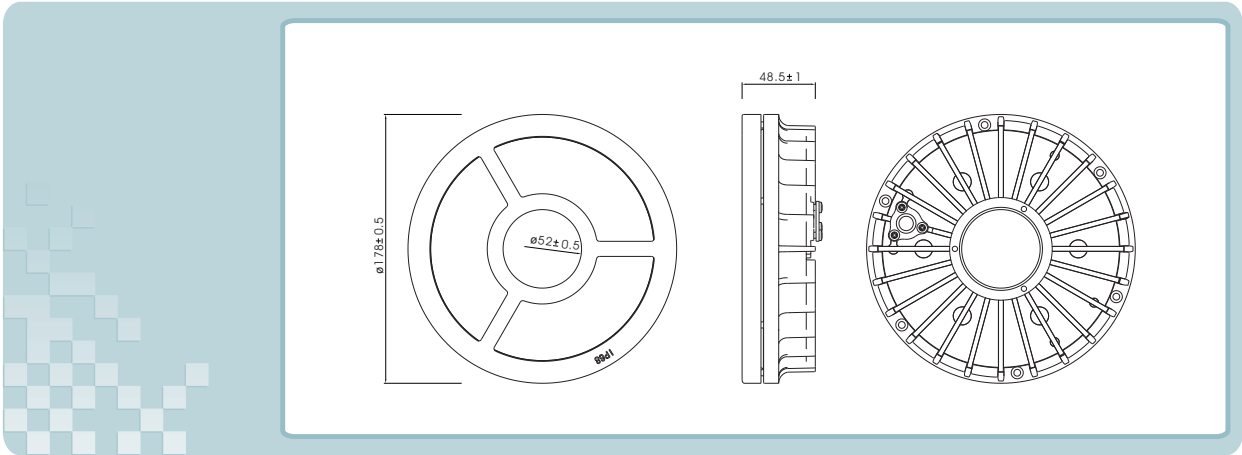


Power supplier



1.67 Million colors

Dimensions



Connection Diagram

Type I.

